



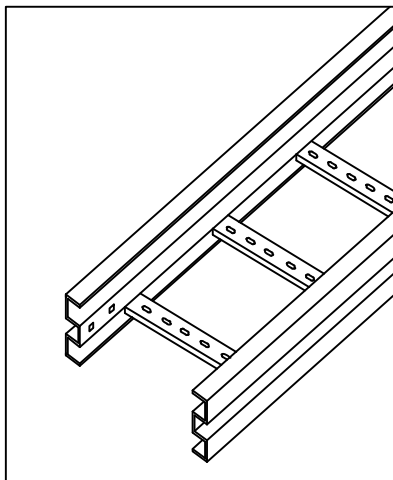
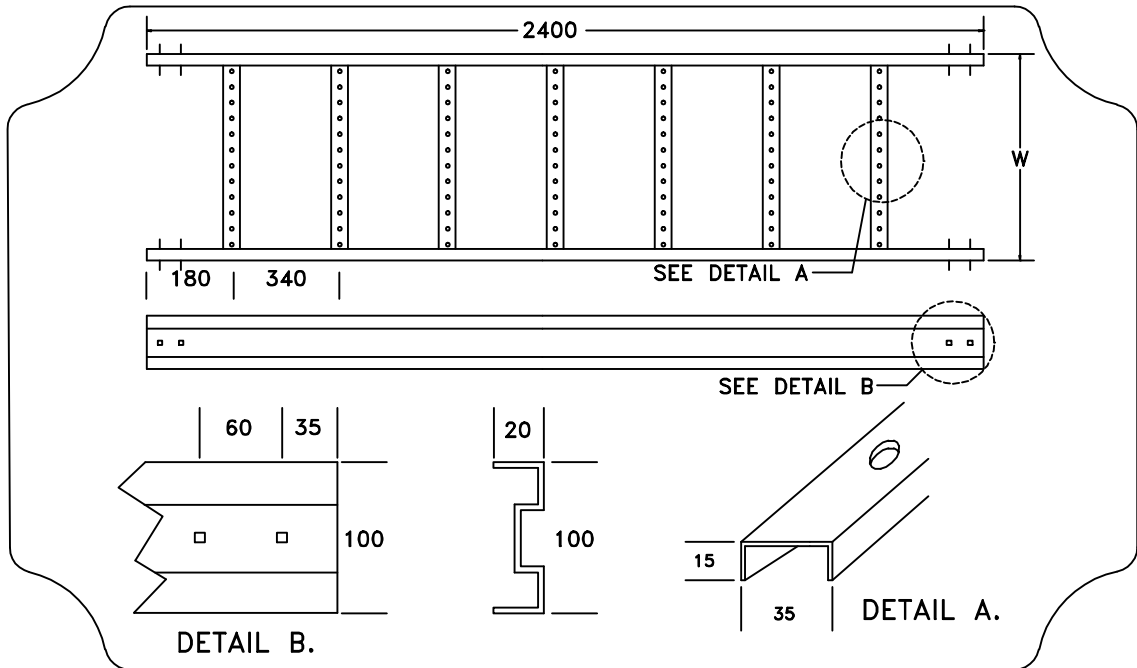
PRODUCT. Price List' 2012

STEEL CABLE LADDER

- STANDARD : IEC. ASTN. DS. NEMA.
- MATERIALS : White Steel Sheet
 Aluzinc Steel Sheet
 Stainless Steel Sheet
 Galvanized Steel Sheet
- FINISHING : Painting by Electro-Static Polyester Powder Painted
 Coating 60-80 uM. Thickness
 Hot Dip Galvanized
- COLOUR : RAL 7032 M 90022AN
- THICKNESS : 1.6 2.0

STEEL CABLE LADDER (ALH TYPE)

ทำจากแผ่นเหล็กคุณภาพสูง ผ่านกรรมวิธีรูป HOT DIP GALVANIZED ประกอบติดตั้งด้วย BOLT&NUT นอกจากนี้ยังมีอุปกรณ์ประกอบมาตรฐานที่สะดวกในการใช้ประกอบและติดตั้ง



HOT DIP GALVANIZED

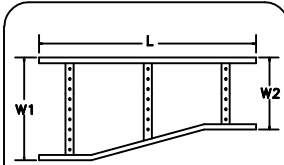
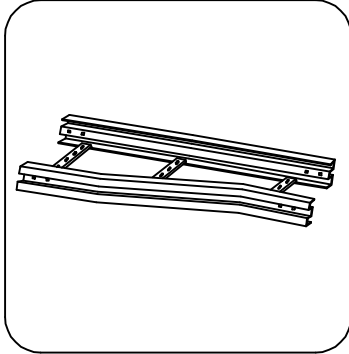
ALH	TYPE	Length (mm.)	Thickness (mm.)	Unit Price (Bath)
	(WxH),mm.			
ALH200	200x100	2400	1.6	1,530
ALH300	300x100	2400	1.6	1,800
ALH400	400x100	2400	1.6	2,200
ALH500	500x100	2400	2.0	2,600
ALH600	600x100	2400	2.0	2,850
ALH700	700x100	2400	2.0	3,160
ALH800	800x100	2400	2.0	3,330
ALH900	900x100	2400	2.0	3,680
ALH1000	1000x100	2400	2.0	4,000



PRODUCT. Price List' 2012

HORIZONTAL REDUCE

HOT DIP GALVANIZED

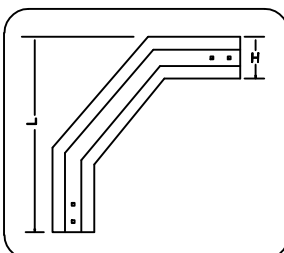
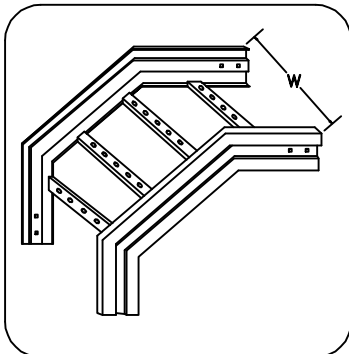


REMARK : W2=200-900mm
W2<W1

AL-HR	TYPE	Length (mm.)	Thickness (mm.)	Unit Price (Bath)
	(W1,W2xH),mm.			
AL-HR200	200,W2x100	900	1.6	920
AL-HR300	300,200x100	900	1.6	1,150
AL-HR400	400,300x100	900	1.6	1,360
AL-HR500	500,400x100	900	2.0	1,680
AL-HR600	600,500x100	900	2.0	1,980
AL-HR700	700,600x100	900	2.0	2,150
AL-HR800	800,700x100	900	2.0	2,300
AL-HR900	900,800x100	900	2.0	2,580
AL-HR1000	1000,900x100	900	2.0	2,850

90° VERTICAL OUTSIDE BEND

HOT DIP GALVANIZED



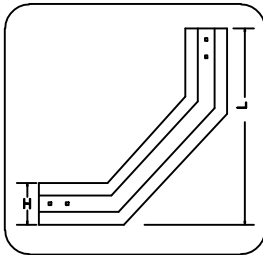
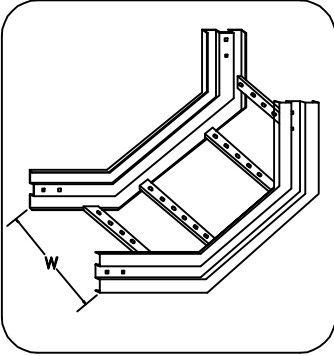
AL-VO	TYPE	Length (mm.)	Thickness (mm.)	Unit Price (Bath)
	(WxH),mm.			
AL-VO200	200x100	350	1.6	820
AL-VO300	300x100	350	1.6	960
AL-VO400	400x100	350	1.6	1,100
AL-VO500	500x100	350	2.0	1,240
AL-VO600	600x100	350	2.0	1,330
AL-VO700	700x100	350	2.0	1,450
AL-VO800	800x100	350	2.0	1,560
AL-VO900	900x100	350	2.0	1,750
AL-VO1000	1000x100	350	2.0	1,880



PRODUCT. Price List' 2012

90° VERTICAL INSIDE BEND

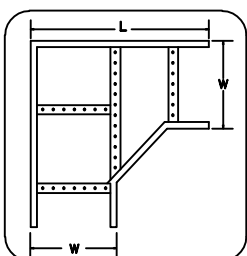
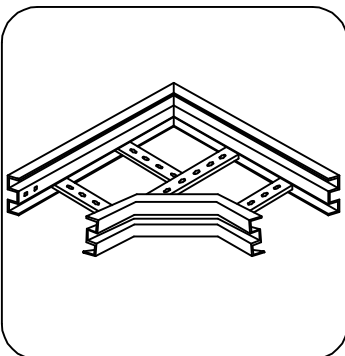
HOT DIP GALVANIZED



TYPE		Length (mm.)	Thickness (mm.)	Unit Price (Bath)
AL-VI	(WxH),mm.			
AL-VI200	200x100	350	1.6	720
AL-VI300	300x100	350	1.6	840
AL-VI400	400x100	350	1.6	980
AL-VI500	500x100	350	1.6	1,080
AL-VI600	600x100	350	1.6	1,140
AL-VI700	700x100	350
AL-VI800	800x100	350	2.0	1,360
AL-VI900	900x100	350
AL-VI1000	1000x100	350	2.0	1,640

90° HORIZONTAL BEND

HOT DIP GALVANIZED



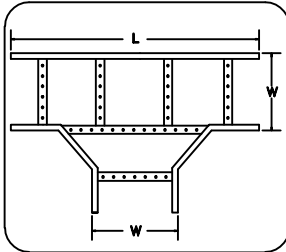
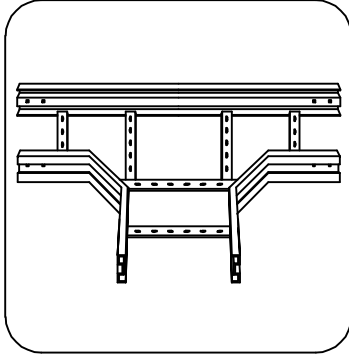
TYPE		Length (mm.)	Thickness (mm.)	Unit Price (Bath)
AL-HB	(WxH),mm.			
AL-HB200	200x100	525	1.6	680
AL-HB300	300x100	725	1.6	800
AL-HB400	400x100	925	1.6	900
AL-HB500	500x100	975	2.0	1,040
AL-HB600	600x100	1,025	2.0	1,180
AL-HB700	700x100	1,175	2.0	1,320
AL-HB800	800x100	1,325	2.0	1,400
AL-HB900	900x100	1,475	2.0	1,560
AL-HB1000	1000x100	1,625	2.0	1,700



PRODUCT. Price List' 2012

HORIZONTAL TEE

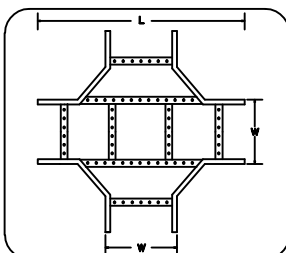
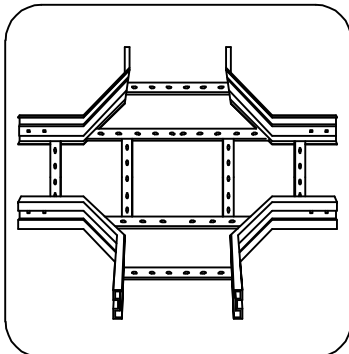
HOT DIP GALVANIZED



AL-HT	TYPE (WxH),mm.	Length (mm.)	Thickness (mm.)	Unit Price (Bath)
AL-HT200	200x100	800	1.6	980
AL-HT300	300x100	900	1.6	1,200
AL-HT400	400x100	1000	1.6	1,360
AL-HT500	500x100	1100	2.0	1,550
AL-HT600	600x100	1200	2.0	1,780
AL-HT700	700x100	1300	2.0	2,000
AL-HT800	800x100	1400	2.0	2,200
AL-HT900	900x100	1500	2.0	2,380
AL-HT1000	1000x100	1600	2.0	2,560

HORIZONTAL CROSS

HOT DIP GALVANIZED



AL-HC	TYPE (WxH),mm.	Length (mm.)	Thickness (mm.)	Unit Price (Bath)
AL-HC200	200x100	800	2.0	1,300
AL-HC300	300x100	900	2.0	1,540
AL-HC400	400x100	1000	2.0	1,800
AL-HC500	500x100	1100	2.0	1,940
AL-HC600	600x100	1200	2.0	2,060
AL-HC700	700x100	1300	2.0	2,220
AL-HC800	800x100	1400	2.0	2,400
AL-HC900	900x100	1500	2.0	2,700
AL-HC1000	1000x100	1600	2.0	2,950