



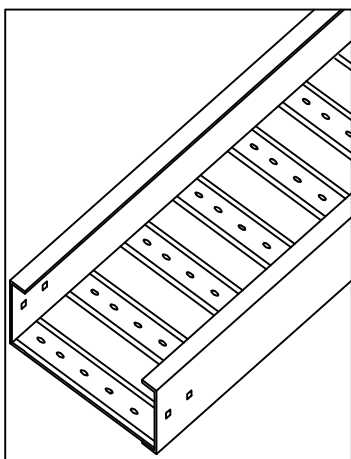
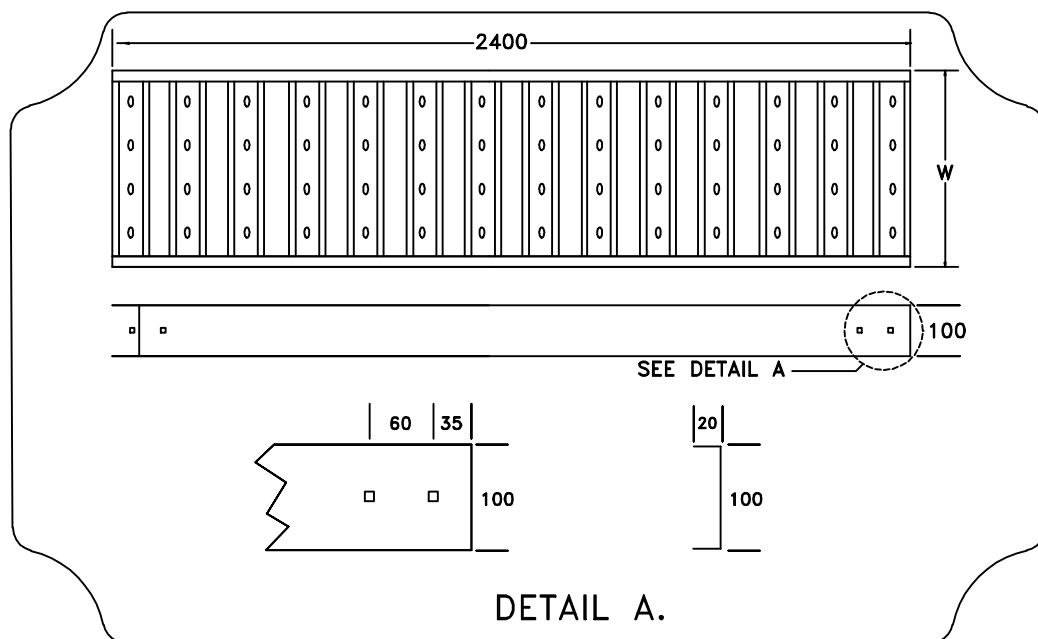
# PRODUCT. Price List' 2012

## STEEL CABLE TRAY

- STANDARD :  IEC.  ASTN.  DS.  NEMA.
- MATERIALS :  White Steel Sheet  
 Aluzinc Steel Sheet  
 Stainless Steel Sheet  
 Galvanized Steel Sheet
- FINISHING :  Painting by Electro-Static Epoxy Powder Painted  
 Coating 60-80 uM. Thickness
- COLOUR :  RAL 7032  M 90022AN  .....
- THICKNESS :  1.5  2.0

### STEEL CABLE TRAY (ATE TYPE)

ทำจากแผ่นเหล็กคุณภาพสูง ผ่านกรรมวิธีเคลือบผิวด้วย Epoxy Polyester Powder Painted (สีเทาหรือสีครีม) หลังจากทนรองพื้นกันสนิมตามมาตรฐานแล้ว นอกจากนี้ยังมีอุปกรณ์ประกอบมาตรฐานที่สะดวกในการไขประกอบและติดตั้งตามความต้องการ หรือสั่งทำพิเศษตามแบบ



### Electro - Static Epoxy Powder Painted

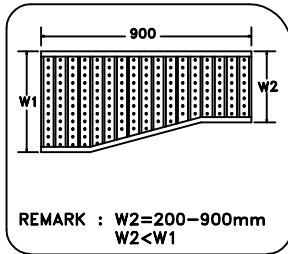
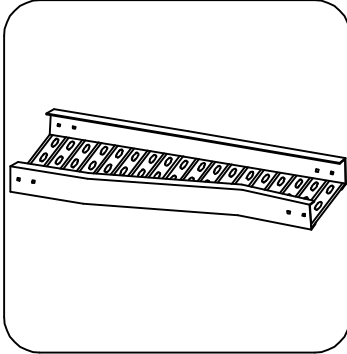
ATE	TYPE (WxH),mm.	Length (mm.)	Thickness (mm.)	Unit Price (Bath)
ATE200	200x100	2400	1.6	1,180
ATE300	300x100	2400	1.6	1,560
ATE400	400x100	2400	1.6	2,000
ATE500	500x100	2400	1.6	2,400
ATE600	600x100	2400	1.6	2,800
ATE700	700x100	2400	1.6	3,900
ATE800	800x100	2400	1.6	4,300
ATE900	900x100	2400	2.0	4,600
ATE1000	1000x100	2400	2.0	5,200



## PRODUCT. Price List' 2012

### HORIZONTAL REDUCE

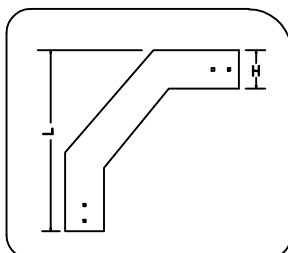
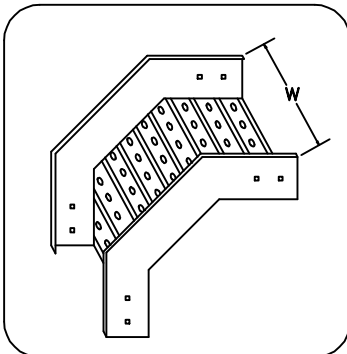
Electro - Static Epoxy Powder Painted



AT-HR	TYPE	Length (mm.)	Thickness (mm.)	Unit Price (Bath)
	(W1,W2xH),mm.			
AT-HR200	200,W2x100	900	1.6	650
AT-HR300	300,200x100	900	1.6	860
AT-HR400	400,300x100	900	1.6	1,100
AT-HR500	500,400x100	900	1.6	1,340
AT-HR600	600,500x100	900	1.6	1,560
AT-HR700	700,600x100	900	1.6	2,180
AT-HR800	800,700x100	900	1.6	2,500
AT-HR900	900,800x100	900	2.0	2,650
AT-HR1000	1000,900x100	900	2.0	2,900

### 90° VERTICAL OUTSIDE BEND

Electro - Static Epoxy Powder Painted



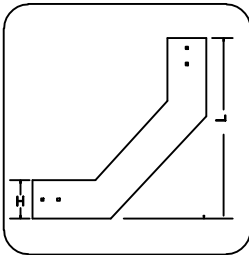
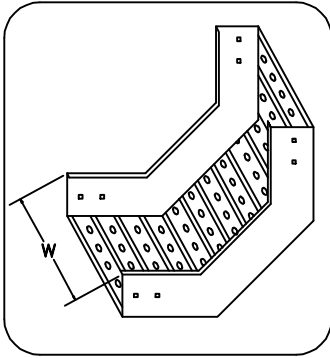
AT-VO	TYPE	Length (mm.)	Thickness (mm.)	Unit Price (Bath)
	(WxH),mm.			
AT-VO200	200x100	350	1.6	630
AT-VO300	300x100	350	1.6	720
AT-VO400	400x100	350	1.6	840
AT-VO500	500x100	350	1.6	930
AT-VO600	600x100	350	1.6	1,050
AT-VO700	700x100	350	1.6	1,160
AT-VO800	800x100	350	1.6	1,250
AT-VO900	900x100	350	2.0	1,360
AT-VO1000	1000x100	350	2.0	1,500



## PRODUCT. Price List' 2012

### 90° VERTICAL INSIDE BEND

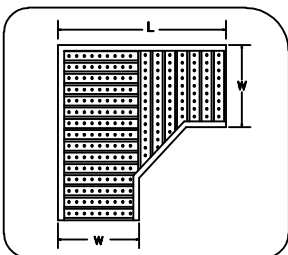
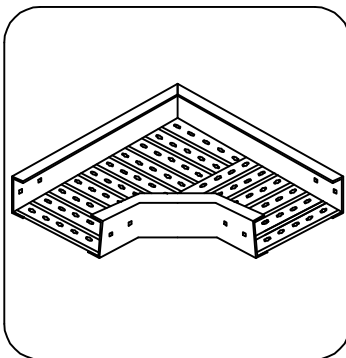
Electro - Static Epoxy Powder Painted



TYPE		Length (mm.)	Thickness (mm.)	Unit Price (Bath)
AT-VI	(WxH),mm.			
AT-VI200	200x100	350	1.6	540
AT-VI300	300x100	350	1.6	640
AT-VI400	400x100	350	1.6	720
AT-VI500	500x100	350	1.6	820
AT-VI600	600x100	350	1.6	900
AT-VI700	700x100	350	.....	.....
AT-VI800	800x100	350	1.6	1,080
AT-VI900	900x100	350	.....	.....
AT-VI1000	1000x100	350	2.0	1,260

### 90° HORIZONTAL BEND

Electro - Static Epoxy Powder Painted



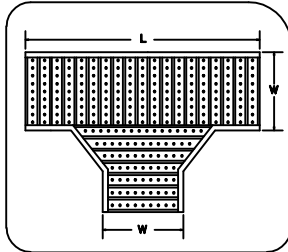
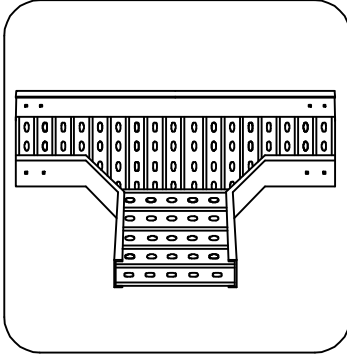
TYPE		Length (mm.)	Thickness (mm.)	Unit Price (Bath)
AT-HB	(WxH),mm.			
AT-HB200	200x100	525	1.6	720
AT-HB300	300x100	725	1.6	940
AT-HB400	400x100	925	1.6	1,130
AT-HB500	500x100	975	1.6	1,360
AT-HB600	600x100	1,025	1.6	1,550
AT-HB700	700x100	1,175	1.6	1,780
AT-HB800	800x100	1,325	1.6	1,960
AT-HB900	900x100	1,475	2.0	2,200
AT-HB1000	1000x100	1,625	2.0	2,400



# PRODUCT. Price List' 2012

## HORIZONTAL TEE

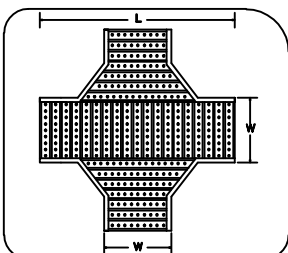
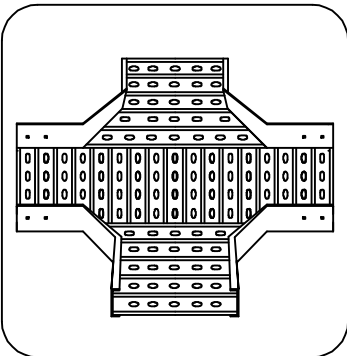
Electro - Static Epoxy Powder Painted



TYPE		Length (mm.)	Thickness (mm.)	Unit Price (Bath)
AT-HT	(WxH),mm.			
AT-HT200	200x100	700	1.6	940
AT-HT300	300x100	800	1.6	1,130
AT-HT400	400x100	900	1.6	1,350
AT-HT500	500x100	1000	1.6	1,560
AT-HT600	600x100	1100	1.6	1,780
AT-HT700	700x100	1200	1.6	1,960
AT-HT800	800x100	1300	1.6	2,200
AT-HT900	900x100	1400	2.0	2,400
AT-HT1000	1000x100	1500	2.0	2,600

## HORIZONTAL CROSS

Electro - Static Epoxy Powder Painted



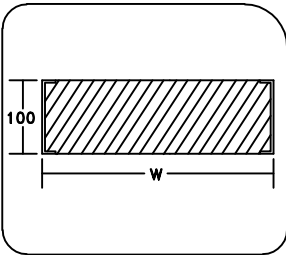
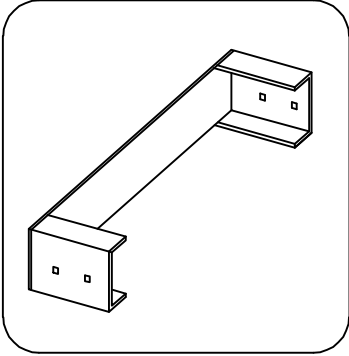
TYPE		Length (mm.)	Thickness (mm.)	Unit Price (Bath)
AT-HC	(WxH),mm.			
AT-HC200	200x100	700	1.6	1,130
AT-HC300	300x100	800	1.6	1,350
AT-HC400	400x100	900	1.6	1,560
AT-HC500	500x100	1000	1.6	1,770
AT-HC600	600x100	1100	1.6	1,960
AT-HC700	700x100	1200	1.6	2,200
AT-HC800	800x100	1300	1.6	2,400
AT-HC900	900x100	1400	2.0	2,600
AT-HC1000	1000x100	1500	2.0	2,800



## PRODUCT. Price List' 2012

### END PLATE FOR CABLE TRAY

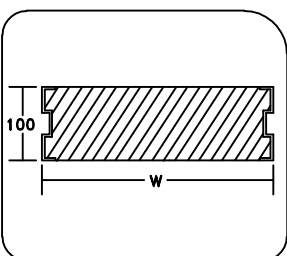
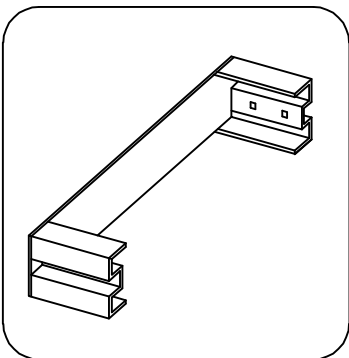
Electro - Static Epoxy Powder Painted



ARE	TYPE	Length (mm.)	Thickness (mm.)	Unit Price (Bath)
	(WxH),mm.			
ARE200	200x100	-	1.6	200
ARE300	300x100	-	1.6	240
ARE400	400x100	-	1.6	260
ARE500	500x100	-	1.6	280
ARE600	600x100	-	1.6	300
ARE700	700x100	-	1.6	360
ARE800	800x100	-	1.6	388
ARE900	900x100	-	2.0	440
ARE1000	1000x100	-	2.0	480

### END PLATE FOR CABLE LADDER

HOT DIP GALVANIZED



ACE	TYPE	Length (mm.)	Thickness (mm.)	Unit Price (Bath)
	(WxH),mm.			
ACE200	200x100	-	1.6	340
ACE300	300x100	-	1.6	380
ACE400	400x100	-	1.6	450
ACE500	500x100	-	2.0	560
ACE600	600x100	-	2.0	700
ACE700	700x100	-	2.0	840
ACE800	800x100	-	-	960
ACE900	900x100	-	2.0	1,080
ACE1000	1000x100	-	2.0	1,200